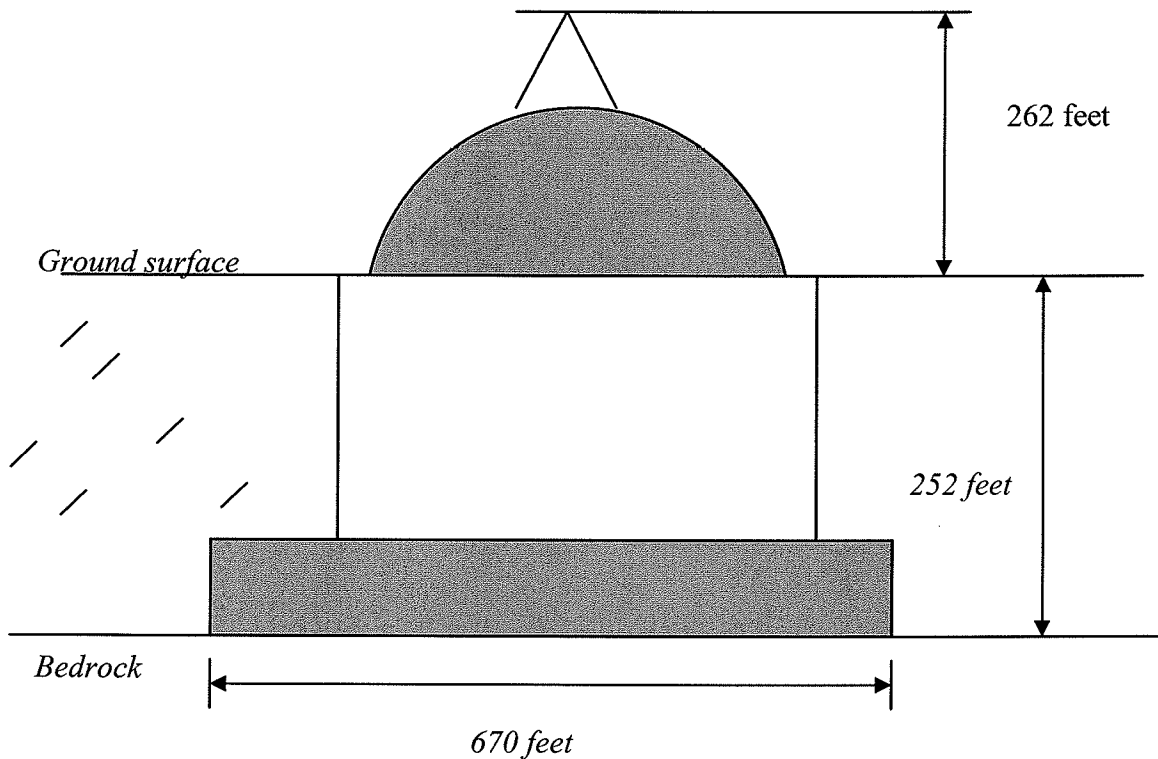


Jethavana from foundation to top is taller than the largest pyramid of Egypt

Prepared by Ruwan Rajapakse

Jethavana built by King Mahasen is a marvel of mankind. It is 262 feet high and its foundation goes all the way to the bedrock to a depth of 252 feet.



The bottom of the foundation rests on solid bedrock. The foundation is 670 feet by 670 feet square. 670 feet is more than twice the length of a soccer field!. (Length of a soccer field is 100 yards or 300 feet).

Jethavana Excavation could be the largest excavation made by man.

Depth of the excavation is 252 feet approximately equal to 25 story building.

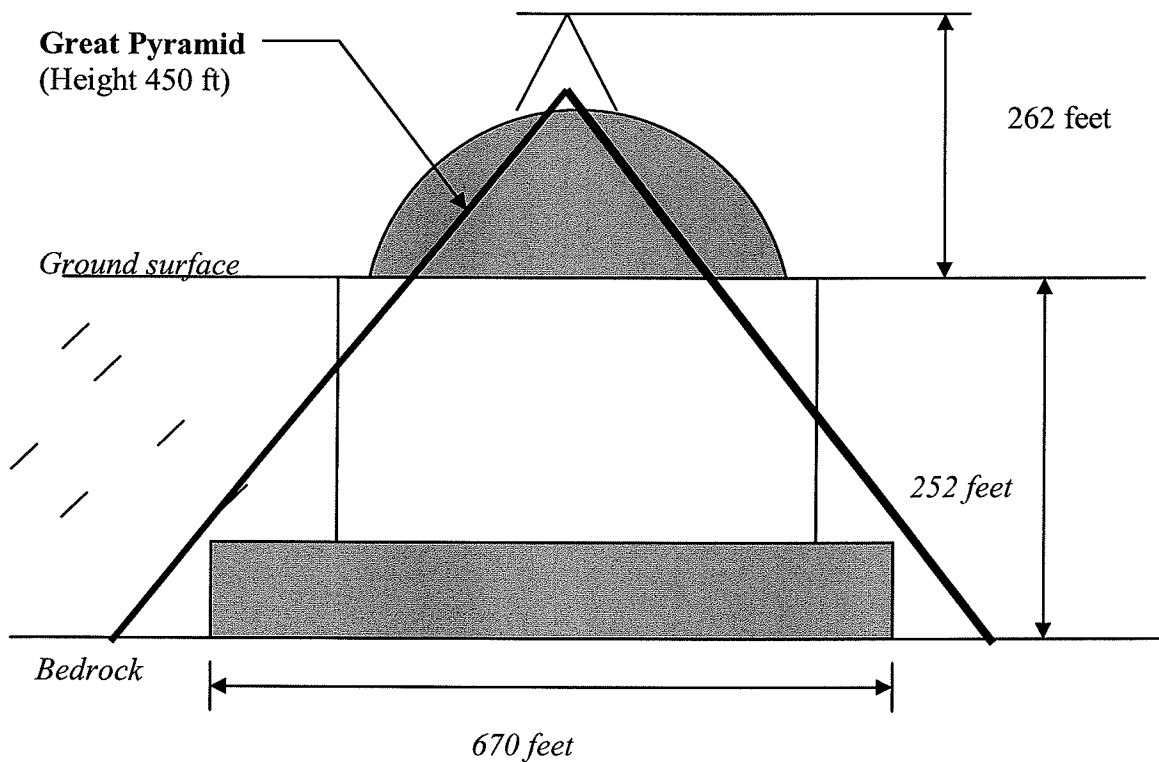
It is unthinkable how such an excavation was maintained during construction. The groundwater has to be removed constantly and work inside the excavation could have been difficult during the monsoon season. It is not clear how the sides of the excavation was constructed. Most probably, the excavation could have made in steps so that workers could go up and down carrying material.

Removal of groundwater from the excavation could have been done using buckets and a mechanism involving pulleys. It is possible that elephants also could have utilized for this purpose.

Great Pyramid of Egypt:

Jethavana dwarfs the great pyramid of Egypt by size. Largest pyramid of Egypt is known as the pyramid of Kufu has a base of 760 feet wide at the foundation wall. Total length of the great pyramid is 450 feet.

The picture below shows how great pyramid of Egypt stack up against Jethavana.



Great pyramid of Egypt is shown with respect to Jethavana. Jethavana is 510 feet measured from bottom of foundation to the top is taller than the great pyramid of Egypt measured at 450 feet from bottom of the footing to the top.

Dimensions:

Great Pyramid of Egypt:

Length of the base at foundation level = 765 ft.

Height measured from bottom of the foundation to the top = 450 feet.

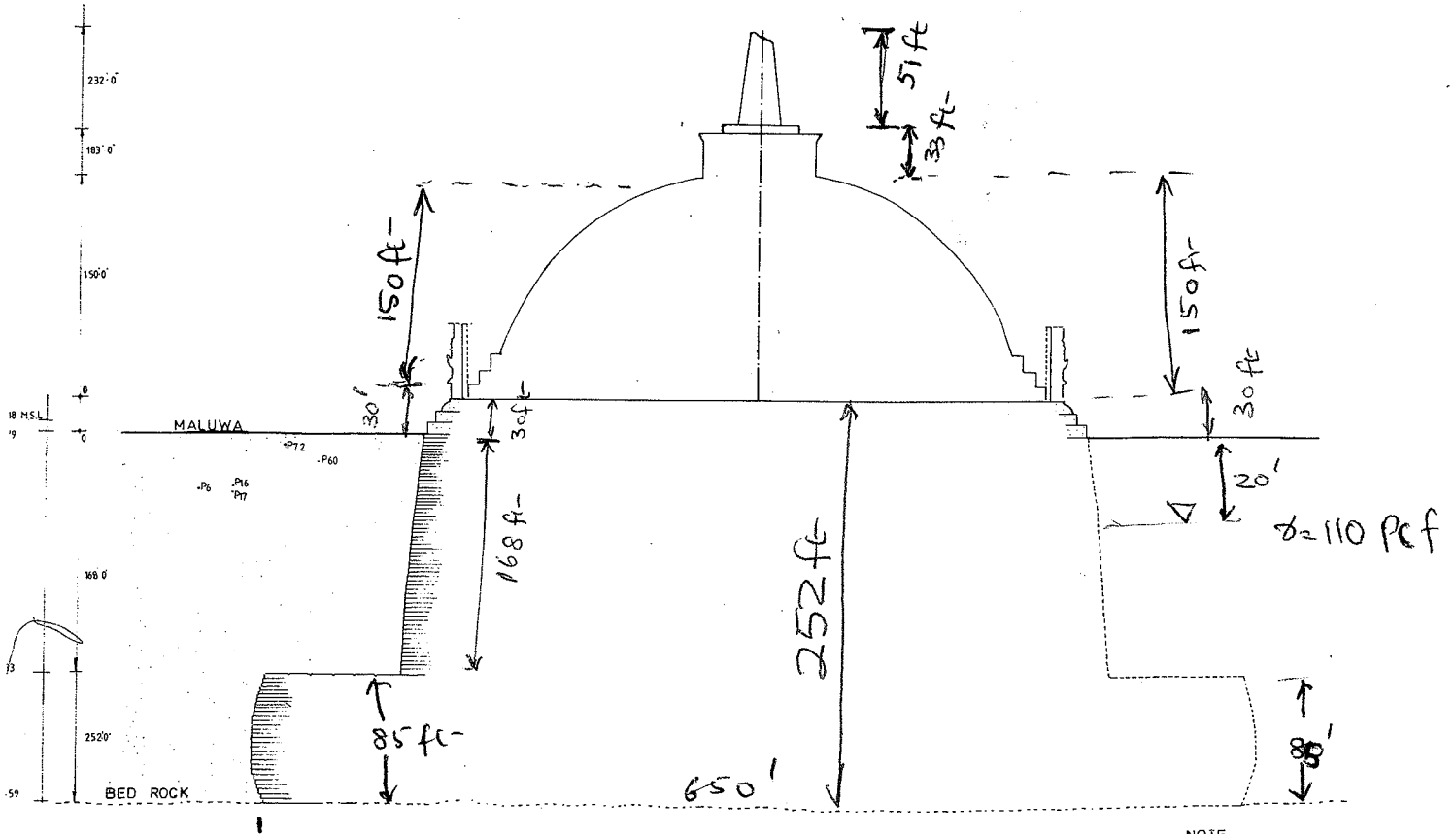
Jethavana:

Length at the base = 670 feet

Height measured from bottom of the foundation to the top = 510 feet.

Total weight of the Jethavana is slightly larger than the great pyramid.

Density of
brick = 140 pcf



NOTE

P6, P16, P17, P60 - vases

P72 - pot

SECTION OF JETAVANA STUPA